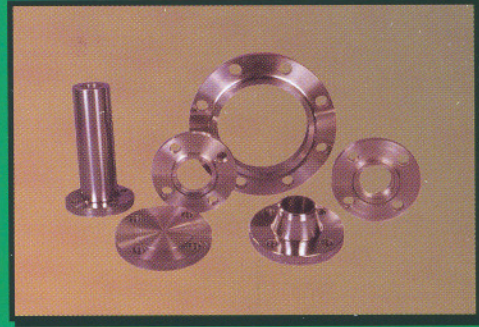
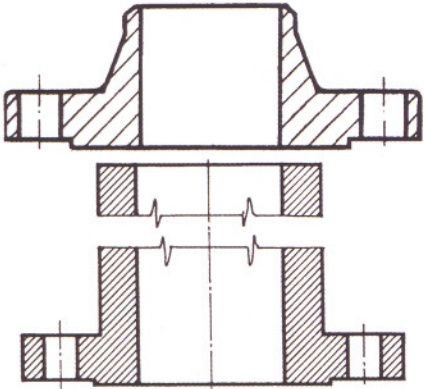
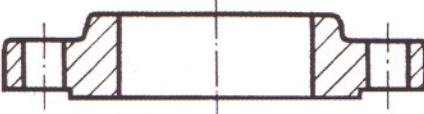
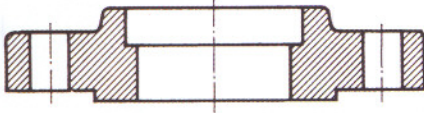
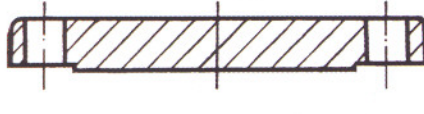
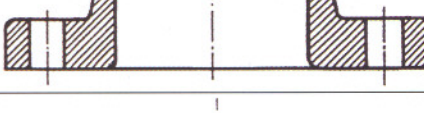
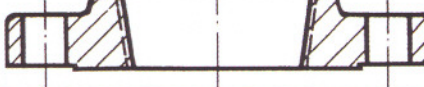


FORGED STEEL FLANGES



MANUFACTURING PROGRAM

FLANGE TYPES	CLASS	SIZES	
		FROM	TO
 <p>WELDING NECK AND LONG WELDING NECK</p>	150	1/2"	42"
	300	1/2"	42"
	400	1/2"	42"
	600	1/2"	42"
	900	1/2"	24"
	1500	1/2"	24"
	2500	1/2"	12"
 <p>SLIP-ON</p>	150	1/2"	42"
	300	1/2"	42"
	400	1/2"	42"
	600	1/2"	42"
	900	1/2"	24"
	1500	1/2"	24"
	2500	1/2"	12"
 <p>SOCKET WELDING</p>	150	1/4"	24"
	300	1/4"	4"
	600	1/4"	3 1/2"
	1500	1/2"	2 1/2"
 <p>BLIND</p>	150	1/2"	42"
	300	1/2"	42"
	400	1/2"	42"
	600	1/2"	42"
	900	1/2"	24"
	1500	1/2"	24"
2500	1/2"	12"	
 <p>LAP JOINT</p>	150	1/2"	24"
	300	1/2"	24"
 <p>THREADED</p>	150	1/2"	24"
	300	1/2"	24"

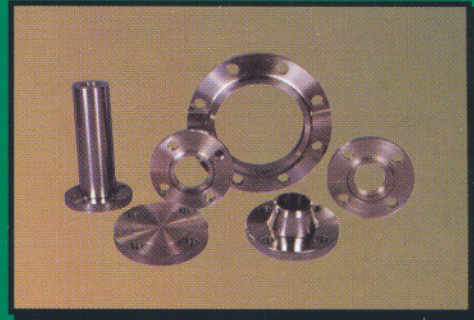


EUROPIPING®
Industrial Technologies



UNI EN ISO 9001:2000
REG. N. 7685/02

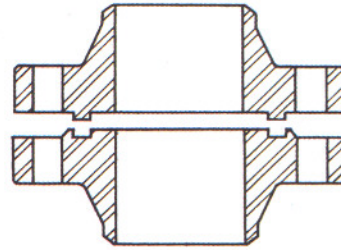
FORGED STEEL FLANGES



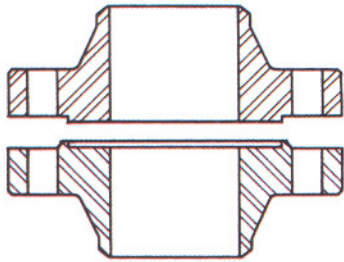
FLANGE FACINGS



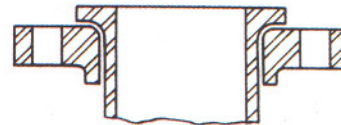
RAISED FACE



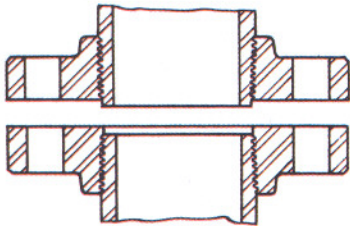
LARGE AND SMALL TONGUE AND GROOVE



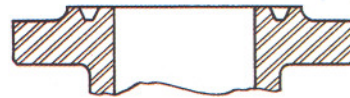
LARGE AND SMALL MALE AND FEMALE



LAP JOINT



SMALL THREADED



RING JOINT

CONTACT SURFACE FOR GASKET

SMOOTH FINISH
SERRATED FINISH

BUILDING MATERIALS

304 - 304 L
316 - 316 L
A 321
A 316 TI

A 105 - 105 N
A 350 LF2
A 234 WPB
A 420 WPL6

AL
FE
FE 42

STANDARDS

UNI - ASA - DIN